

# XS2M30KP340D

Inductive proximity sensors XS, inductive sensor XS2 M30, L77mm, brass, Sn15mm, 12...24 VDC, M12



Product availability: Non-Stock - Not normally stocked in distribution facility

Price\*: 109.04 USD



## Main

Range of Product	Telemecanique Inductive proximity sensors XS
Series name	General purpose
Sensor Type	Inductive proximity sensor
Sensor name	XS2
Sensor design	Cylindrical M30
Size	75 mm
Body type	Fixed
Detector flush mounting acceptance	Non flush mountable
Material	Metal
Type of output signal	Discrete
Wiring Technique	4-wire
[Sn] nominal sensing distance	0.59 In (15 mm)
Discrete output function	1 NO or 1 NC programmable
Output circuit type	DC
Discrete output type	PNP and NPN
Electrical connection	Male connector M12, 4 pins
[Us] rated supply voltage	12...24 V DC reverse polarity protection
Switching capacity in mA	<= 200 mA overload and short-circuit protection
IP degree of protection	IP67 conforming to IEC 60529

## Complementary

Thread type	M30 x 1.5
Detection face	Frontal
Front material	PPS
Enclosure Material	Nickel Plated Brass
Operating zone	0.00...0.47 In (0...12 mm)
Differential travel	1...15% of Sr
Status LED	Output state 1 LED yellow)

Supply voltage limits	10...36 V DC
Switching frequency	<= 1000 Hz
Maximum voltage drop	<2.6 V closed)
Current consumption	0...10 mA no-load
Maximum delay first up	5 Ms
Maximum delay response	0.3 Ms
Maximum delay recovery	0.7 Ms
Marking	CE
Threaded length	1.61 ln (41 mm)
Length	2.95 ln (75 mm)
Net Weight	0.32 Lb(US) (0.145 kg)

## Environment

Product Certifications	CSA UL
Ambient Air Temperature for Operation	-13...158 °F (-25...70 °C)
Ambient Air Temperature for Storage	-40...185 °F (-40...85 °C)
Vibration resistance	25 gn +/- 2 mm 10...55 Hz)IEC 60068-2-6
Shock resistance	50 gn 11 ms IEC 60068-2-27

## Ordering and shipping details

Category	22486 - SENSORS, PROXIMITY
Discount Schedule	DS2
GTIN	03389110533514
Nbr. of units in pkg.	1
Package weight(Lbs)	5.33 Oz (151 g)
Returnability	No
Country of origin	FR

## Packing Units

Unit Type of Package 1	PCE
Package 1 Height	1.65 ln (4.2 cm)
Package 1 width	2.76 ln (7 cm)
Package 1 Length	3.74 ln (9.5 cm)
Unit Type of Package 2	BAG
Number of Units in Package 2	1
Package 2 Weight	5.33 Oz (151 g)
Package 2 Height	1.18 ln (3 cm)
Package 2 width	7.87 ln (20 cm)
Package 2 Length	5.91 ln (15 cm)
Unit Type of Package 3	S01
Number of Units in Package 3	22
Package 3 Weight	7.64 Lb(US) (3.464 kg)
Package 3 Height	5.91 ln (15 cm)
Package 3 width	5.91 ln (15 cm)
Package 3 Length	15.75 ln (40 cm)

## Offer Sustainability

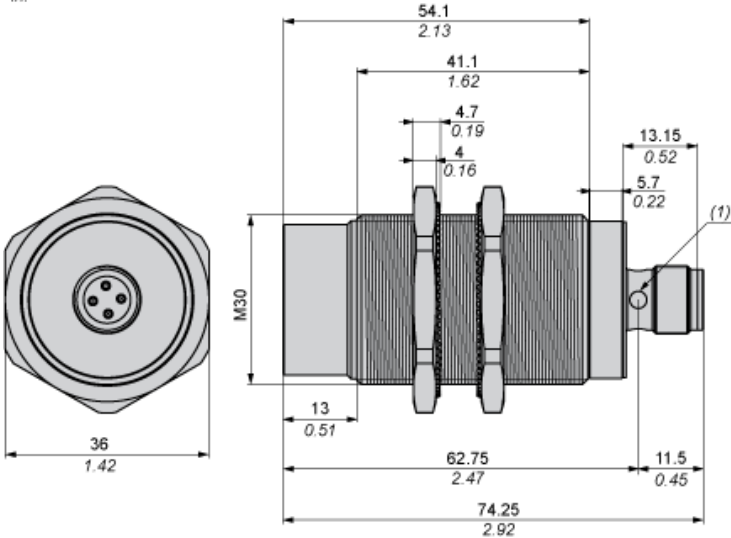
Sustainable offer status	Green Premium product
California proposition 65	WARNING: This product can expose you to chemicals including: Diisononyl phthalate (DINP), which is known to the State of California to cause cancer, and Diisodecyl phthalate (DIDP), which is known to the State of California to cause birth defects or other reproductive harm. For more information go to <a href="http://www.P65Warnings.ca.gov">www.P65Warnings.ca.gov</a>
REACH Regulation	<a href="#">REACH Declaration</a>
EU RoHS Directive	Pro-active compliance (Product out of EU RoHS legal scope) <a href="#">EU RoHS Declaration</a>
Mercury free	Yes
RoHS exemption information	<a href="#">Yes</a>
Environmental Disclosure	<a href="#">Product Environmental Profile</a>
Circularity Profile	<a href="#">End Of Life Information</a>

## Contractual warranty

Warranty	18 months
----------	-----------

Dimensions

mm  
in.



(1) LED

Minimum Mounting Distances

Side by side



$e (1) \geq 80 \text{ mm}/2.36 \text{ in.}$

Face to face



$e (2) \geq 80 \text{ mm}/7.09 \text{ in.}$

Facing a metal object



$e (3) \geq 45 \text{ mm}/1.77 \text{ in.}$

Mounted in a metal support



$d \geq 90 \text{ mm}/3.54 \text{ in.}$

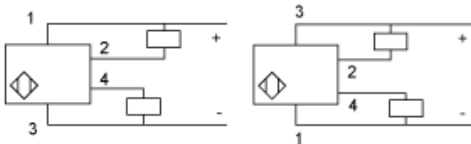
$h \geq 30 \text{ mm}/1.18 \text{ in.}$

Wiring Schemes

M12 Connector



4-Wire DC, PNP/NPN, NO or NC output



Performance Curves

Standard Steel Target : 45x45x1 mm



- (1) Pick-up points
- (2) Drop-out points (object approaching from the side)
- (y) Sensing distance in mm

Product Life Status : Commercialised